

**Double Action Universal
Floor Spring & Accessories**

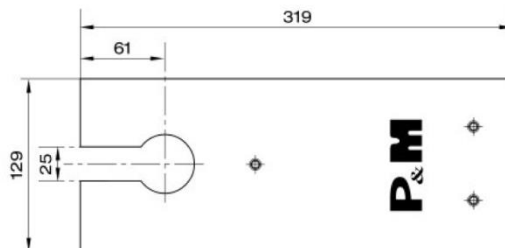


Applications

- Suitable for left hand, right hand, single and double action doors.
- Available in 4 sizes for door weights of up to 120Kgs and widths of up to 1300mm.
- Comprehensive accessories for aluminum, tempered glass and wooden door.
- Adjustable positions for cement box are vertical 4mm, transverse 10mm and longitudinal 8mm.

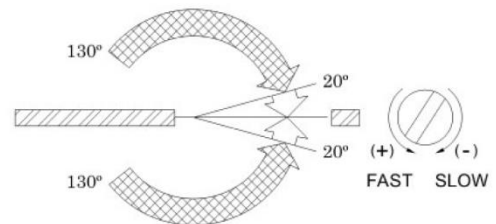
Cover Plates

- Stainless Steel
- Polished Brass
- Physical Vapour Deposit



Closing Ranges & Functions

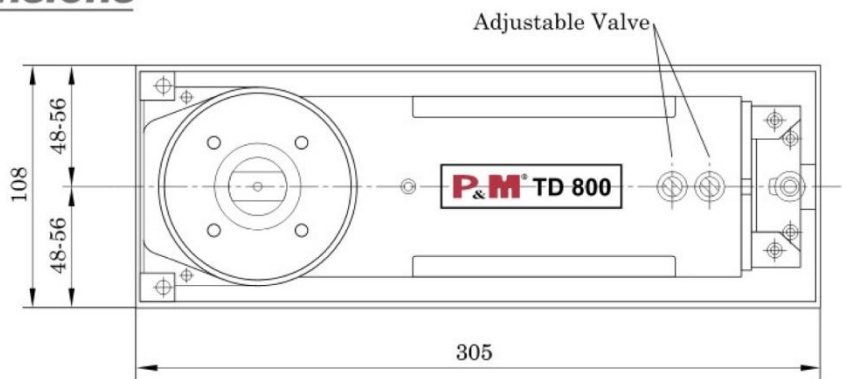
- 1st adjusting closing range (130°-20°)
- 2nd adjusting latching range (20°-0°)
- Non hold open / Hold open at 90°



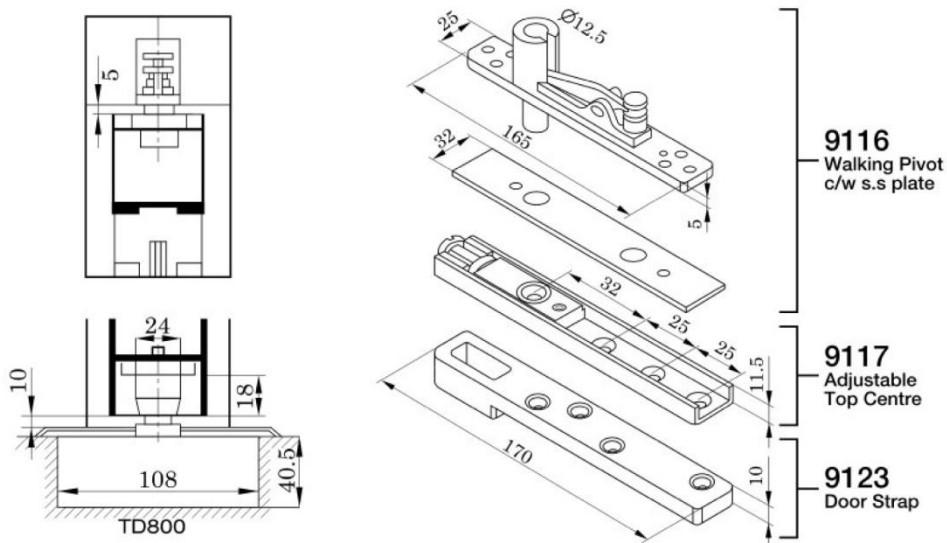
Door Controls & Backcheck

- Two independent adjustment valves provide full hydraulic control from 130°-20° of closing and 20°-0° of latching range.
- Built-in pressure relief valves to prevent damages arising from "reverse - forced" closing.
- Built-in cushioned backcheck from 85° to prevent damage to doors in windy conditions or where the door swing is limited to 90°.

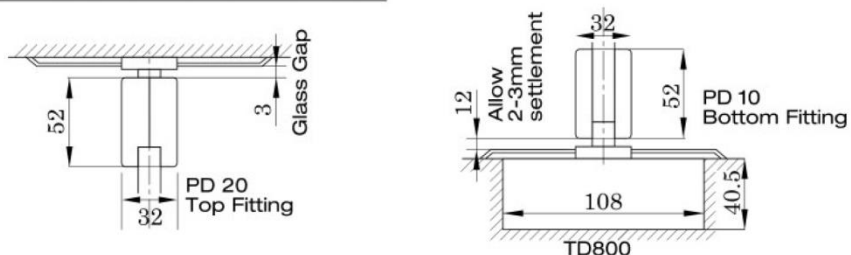
Dimensions

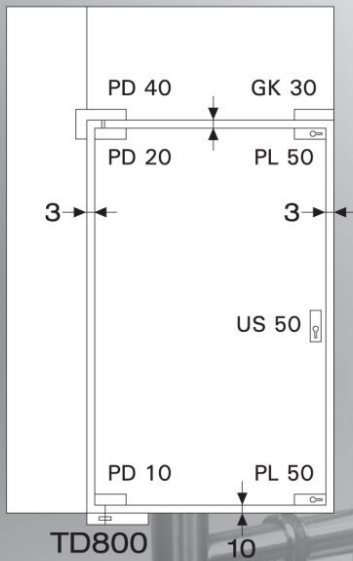


AL Accessories for Framed Doors



Frameless Glass Doors





Technical Data **TD800**

Closer size		1	2	3	4
Door Width	Under 650mm	•	-	-	-
	650 - 900mm	-	•	-	-
	900 - 1100mm	-	-	•	-
	1100 - 1300mm	-	-	-	•
Built-in pressure relief valve		•	•	•	•
Built-in cushioned backcheck from 85°		•	•	•	•
90° Hold open / Non-hold open		•	•	•	•
Force (Nm)		15	20	25	28
Weight in Kg, approx		5.3	5.3	5.3	5.3
Dimensions in mm	Length	305	305	305	305
	Width	108	108	108	108
	Height	40.5	40.5	40.5	40.5
Tested to EN 1154		•	•	•	•

• Yes
- No



Preference Pte Ltd

No.2 Kallang Pudding Road #01-02 Mactech Building Singapore 349307

Tel: (65) 6746 5185 Fax: (65) 6746 8749 Email: enquiry@preference.com.sg Website: www.preference.com.sg