



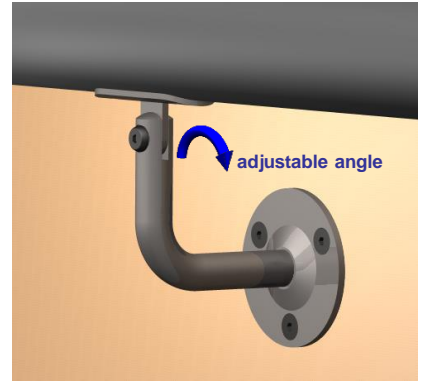
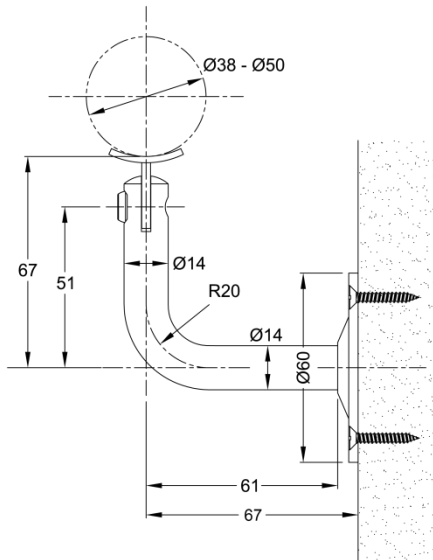
# ***ELBOW CONNECTOR***

*Connecting handrail to wall or glass*



# EB01

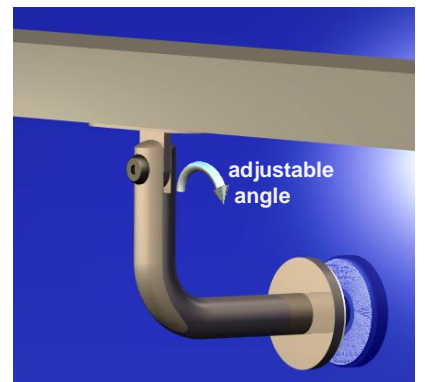
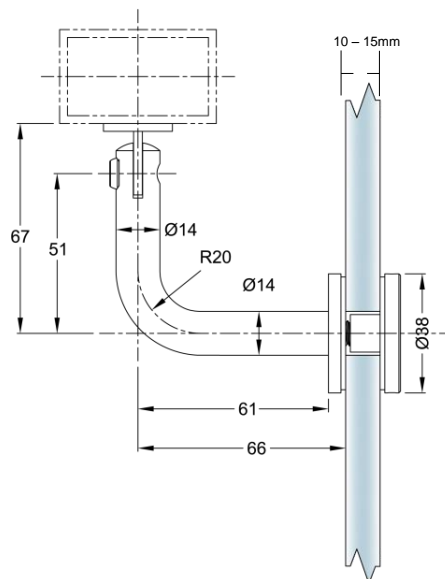
## Elbow Connector to wall



- Supports handrail connected to wall.
- Interchangeable rail attachment: flat or arc design
- With adjustable angle
- Finishes: Satin Stainless Steel
- Material : SUS316

# EB02

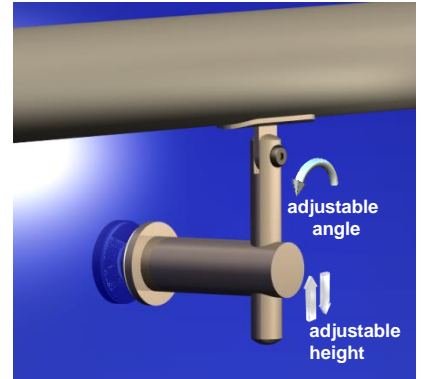
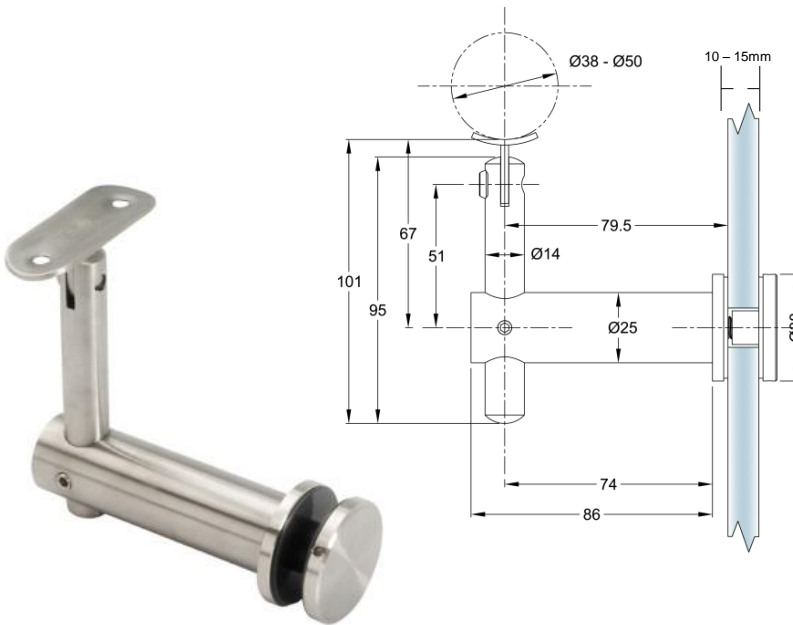
## Elbow Connector to Glass



- Supports handrail connected to glass.
- Interchangeable rail attachment: flat or arc design
- With adjustable angle
- Finishes: Satin Stainless Steel
- Material : SUS316
- 10 to 15mm glass thickness  
*(refer to last page for glass preparation)*

# EB03

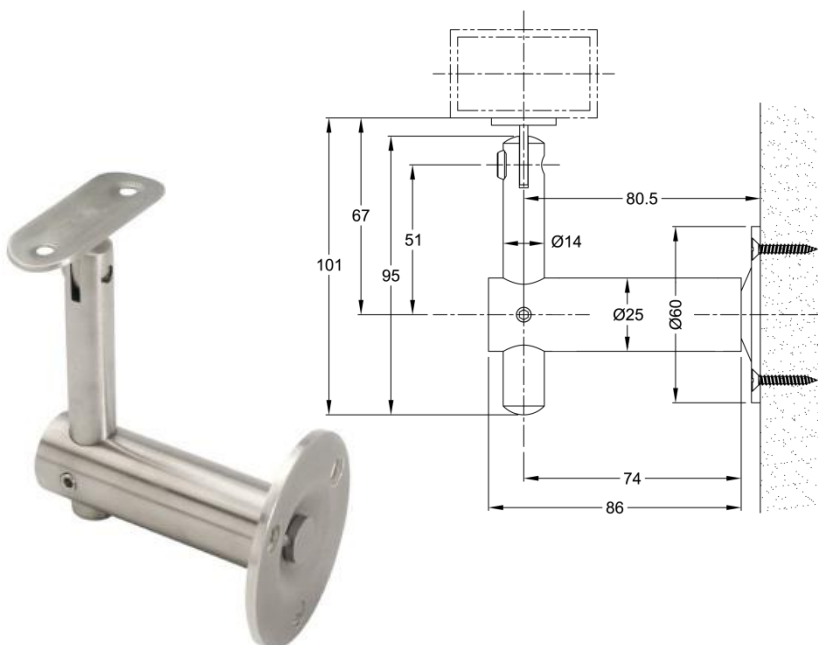
## Elbow Connector to glass



- Supports handrail connected to glass.
- Interchangeable rail attachment: flat or arc design
- With adjustable angle and adjustable height
- Finishes: Satin Stainless Steel
- Material : SUS316
- 10 to 15mm glass thickness  
*(refer to last page for glass preparation)*

# EB04

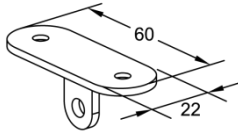
## Elbow Connector to Wall



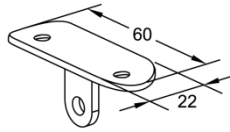
- Supports handrail connected to wall.
- Interchangeable rail attachment: flat or arc design
- With adjustable angle and Adjustable height
- Finishes: Satin Stainless Steel
- Material : SUS316

## HANDRAIL ATTACHMENT:

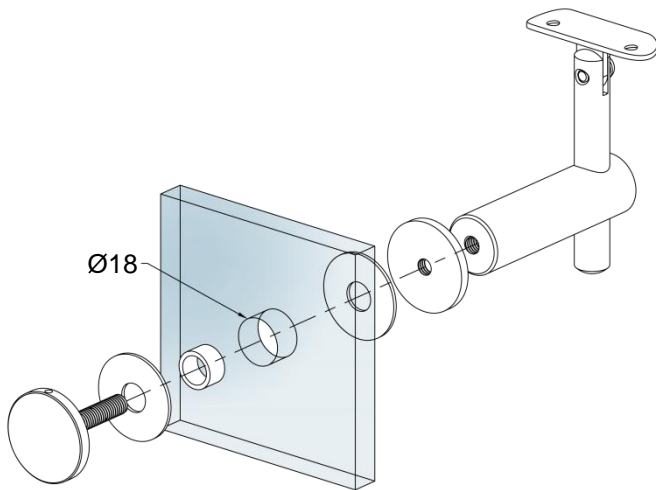
**FLAT**  
**EB-P(00)**



**ARC**  
**EB-P(19)**



## GLASS PREPARATION



## RELATED PRODUCTS



## CONNECTORS

*Due to the company's policy of continuous product development and enhancement, the specifications and details contained in this brochure are subject to alteration without prior notice.*

*The dimensions, details, specifications and statements made herein or by our representatives arising out of any enquiries are given for information purposes only. They are not intended to have any legal effect and the company will not be bound thereby. The company will only accept obligations which are expressly negotiated for, and agreed and incorporated into written agreements made specifically with its respective customers.*