

Applications

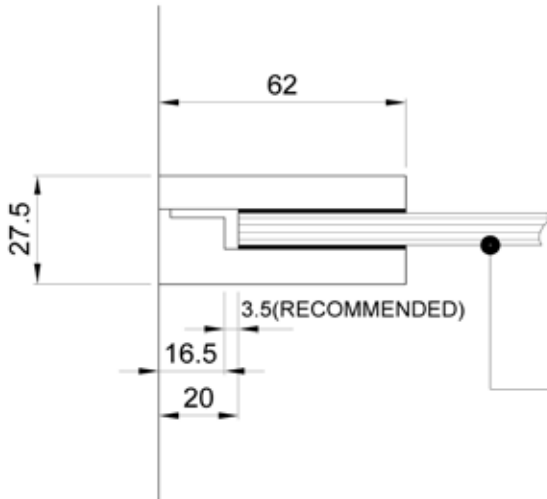
Suitable for 8mm, 10mm glass panels.

Finishes

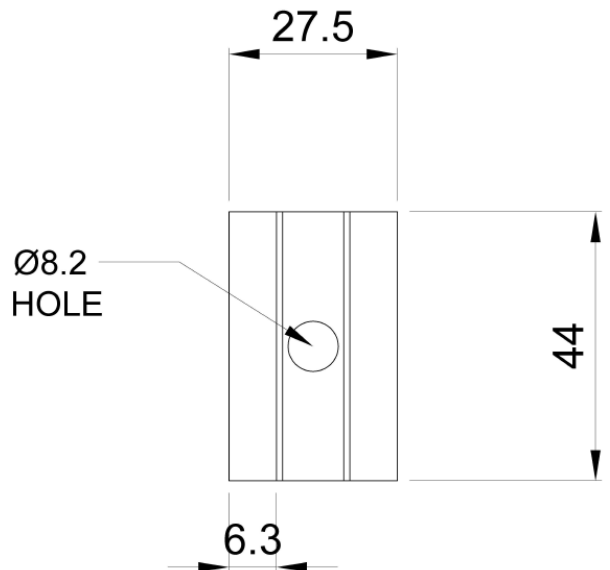
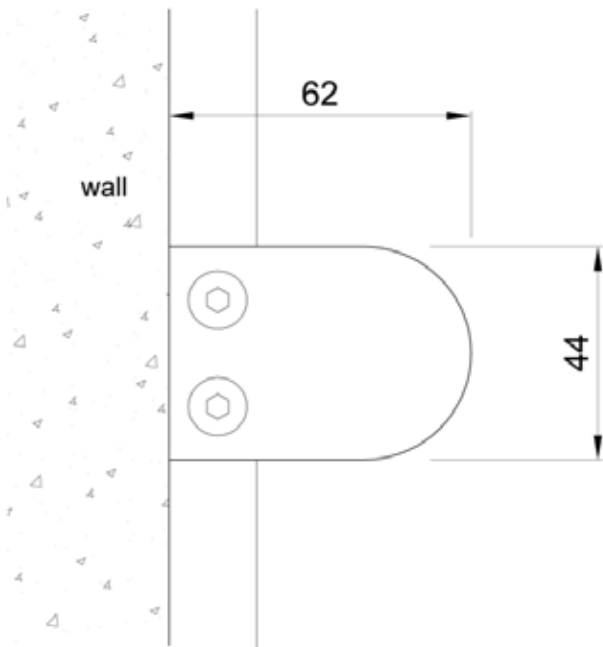
Satin Stainless Steel

RB00

Round Balustrade Clamp



8MM Glass (USE THICKER GASKET)
10MM Glass (USE THINNER GASKET)
12MM Glass (BY SPECIAL ORDER)



Applications

Suitable for 8mm, 10mm glass panels.

Finishes

Satin Stainless Steel

RB25

Round Balustrade Clamp
(Radius 25)

