

# TX 2000

**Self-Closing Heavy Duty Hinge  
For Interior Glass Door**



## Applications

- Suitable for 8mm -12mm thick glass panels.
- Width of up to 900mm with a maximum weight of 65kgs per 2 hinges
- Self-closing function approximately from 80°

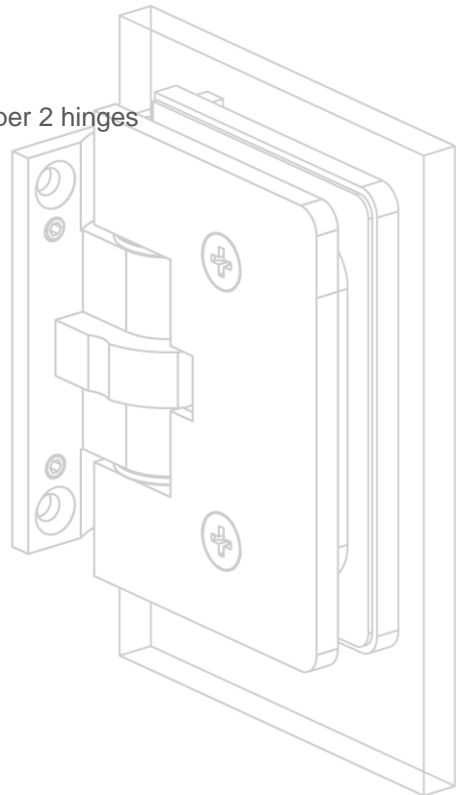
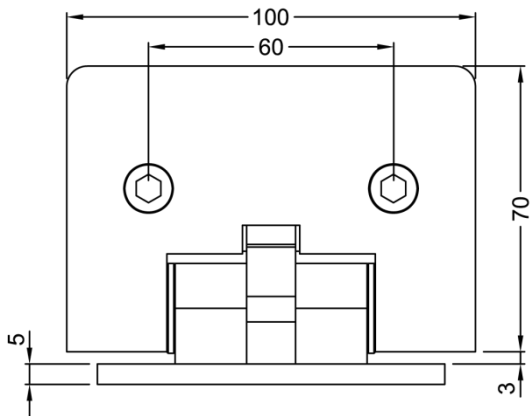
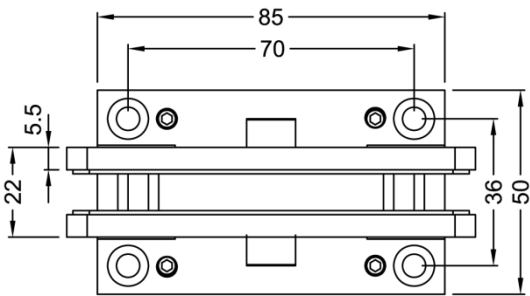
## Finish

- Polish Stainless Steel
- Satin Stainless Steel

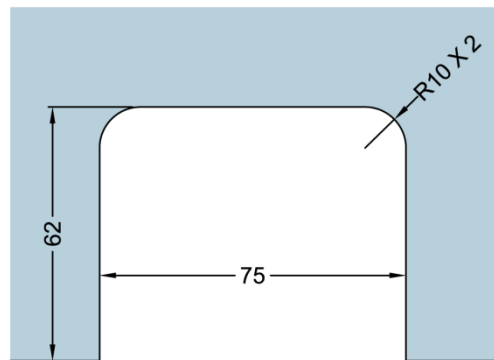
## Material

- SUS304 Stainless Steel

## Dimensions



## Glass Preparation



Due to the company's policy of continuous product development and enhancement, the specifications and details contained in this brochure are subject to alteration without prior notice.

The dimensions, details, specifications and statements made herein or by our representatives arising out of any enquiries are given for information purposes only. They are not intended to have any legal effect and the company will not be bound thereby. The company will only accept obligations which are expressly negotiated for, and agreed and incorporated into written agreements made specifically with its respective customers.

 **Preference**  
The Preferred Name in Entrance Systems

**Preference Pte Ltd**

No.2 Kallang Pudding Road #01-02 Mactech Building Singapore 349307

Tel: (65) 6746 5185 Fax: (65) 6746 8749 Email: [enquiry@preference.com.sg](mailto:enquiry@preference.com.sg) Website: [www.preference.com.sg](http://www.preference.com.sg)