

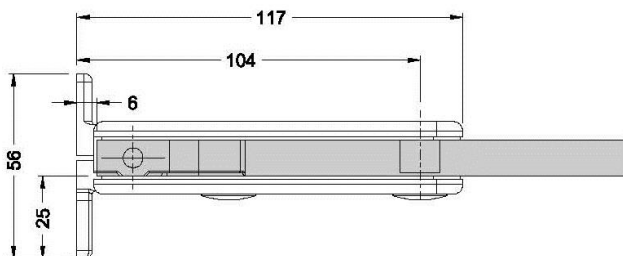
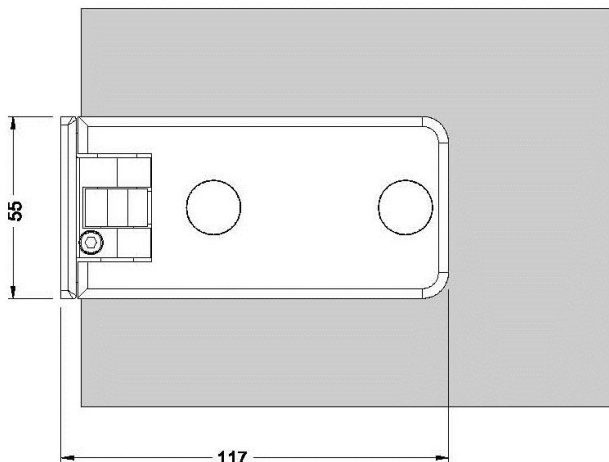
GX400

SERIES



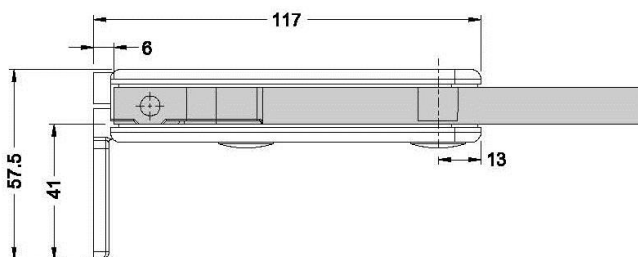
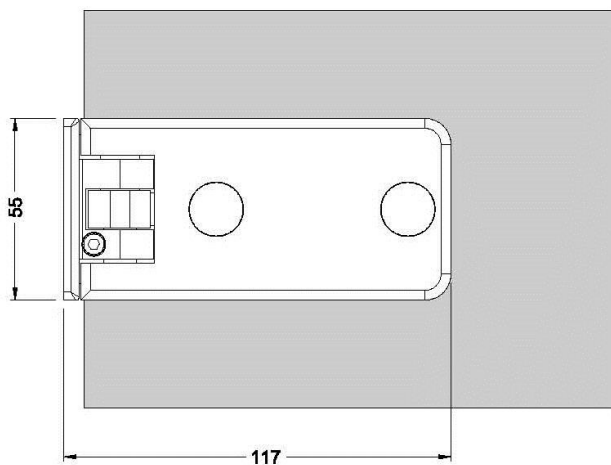
GX400.1

Glass to Wall (90°)



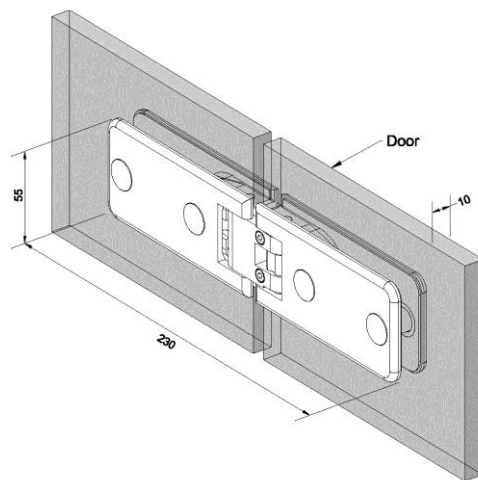
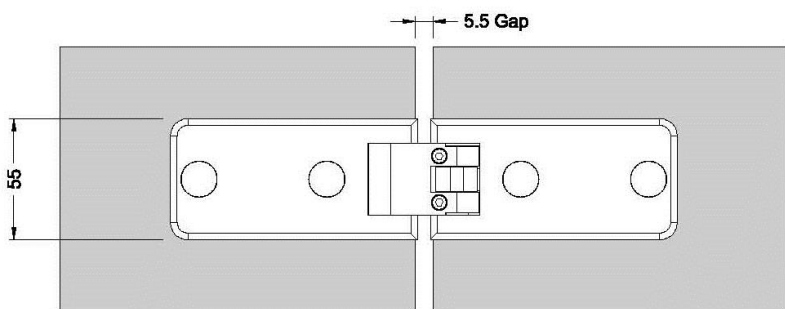
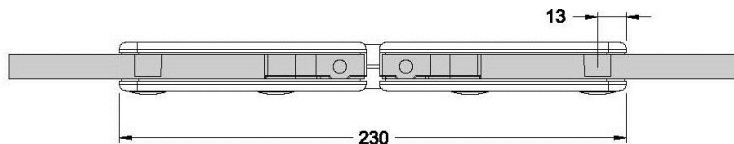
GX400.1OS

Glass to Wall (90°)

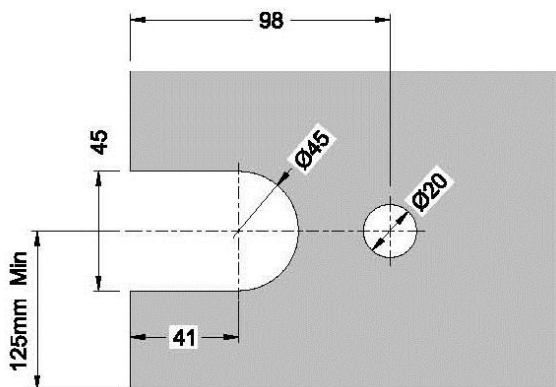


GX400.2

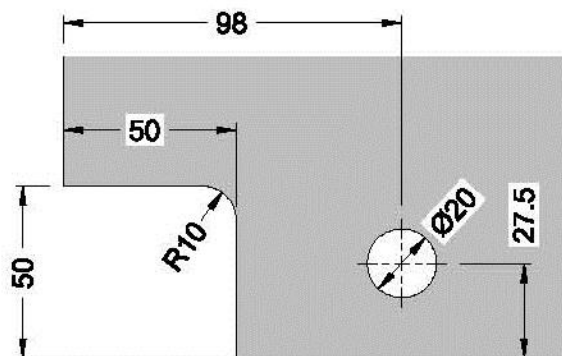
Glass to Glass (180°)



Glass Preparation



Standard



Corner of Glass

Applications

- Suitable for connecting 8-10 mm thick frameless glass panels.
- Width of up to 750mm with a maximum weight of 45kgs per 2 hinges.
- Adjustable centering function.

Finishes

- Polished Chrome Plated
- Satin Chrome Plated

Material

- Solid Brass

Due to the company's policy of continuous product development and enhancement, the specifications and details contained in this brochure are subject to alteration without prior notice.

The dimensions, details, specifications and statements made herein or by our representatives arising out of any enquiries are given for information purposes only. They are not intended to have any legal effect and the company will not be bound thereby. The company will only accept obligations which are expressly negotiated for, and agreed and incorporated into written agreements made specifically with its respective customers.

Related Products



Shower Connectors – Bianca Series



Crossbar Connectors – Caprice Series