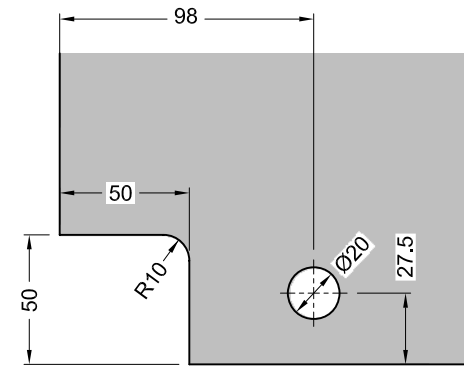


Glass Preparation



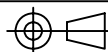
Glass Preparation (Corner of Glass)



Preference Pte. Ltd.
www.preference.com.sg

Model: GX400.1 Adjustable Self-Center Shower Hinge

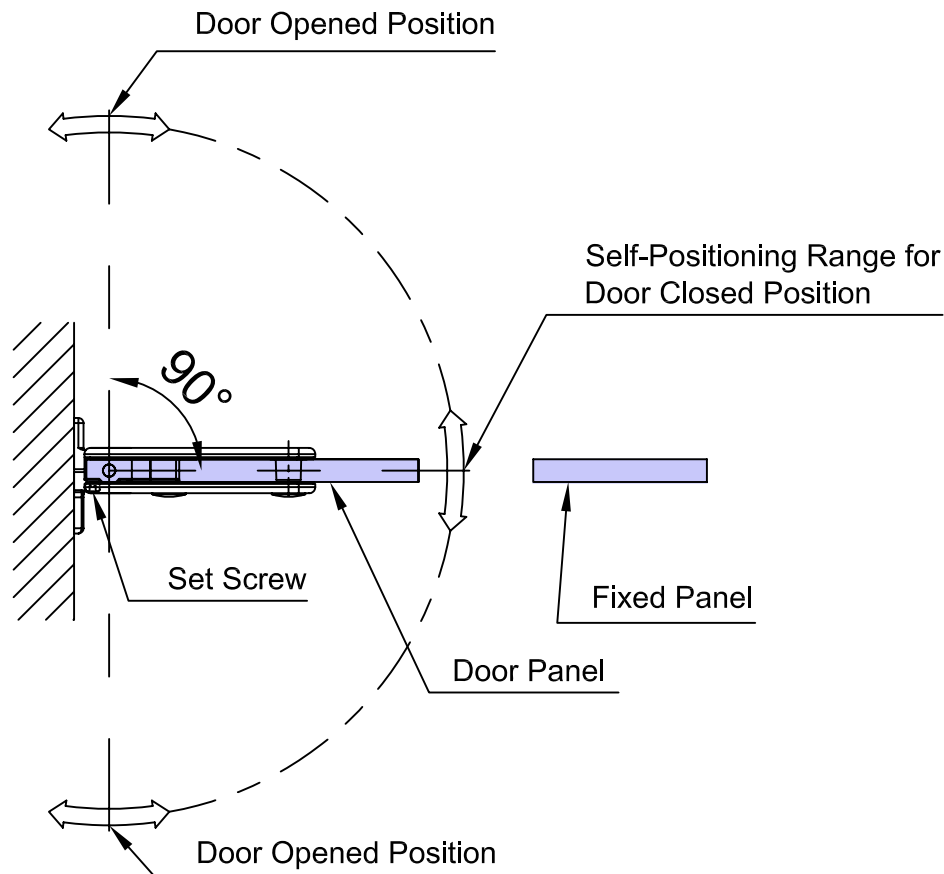
Art. No.



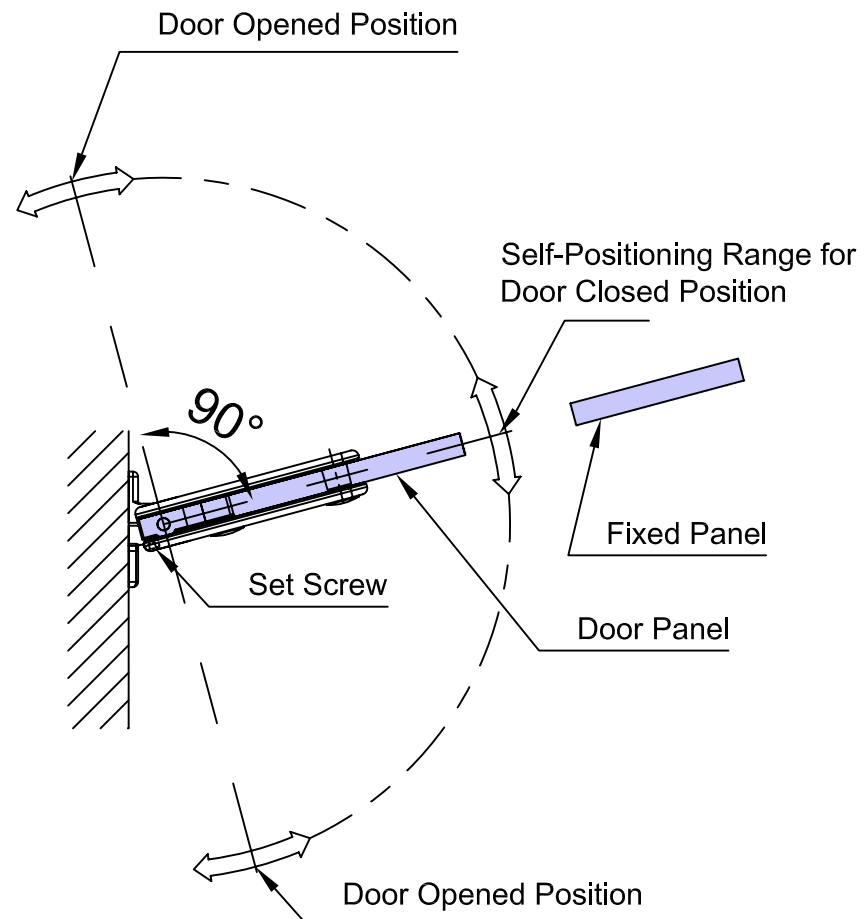
Date : 10-MAY-2013

Disclaimer:

This drawing shows the actual stage of product development at the date indicated. No claims or damages in any form can be made against Preference Pte. Ltd. as a result of the interpretation of this drawing. This drawing remains the property of Preference Pte. Ltd. and is made available to third parties only for the duration of contractual obligations. All rights connected with this drawing remain in possession of Preference Pte. Ltd. This drawing may not be copied or handed over to third parties without the express consent of Preference Pte. Ltd.

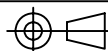


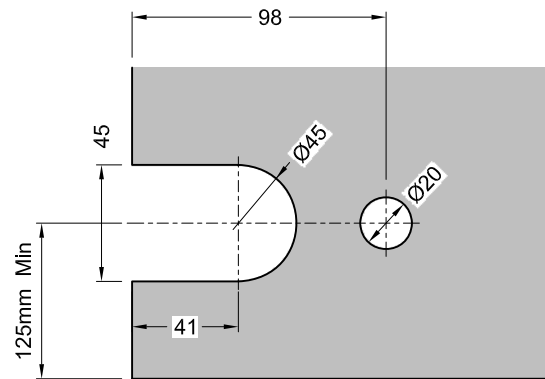
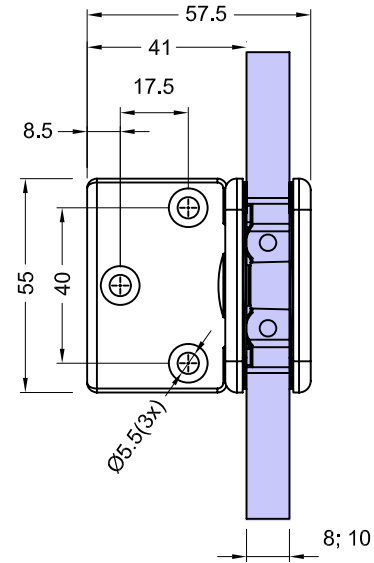
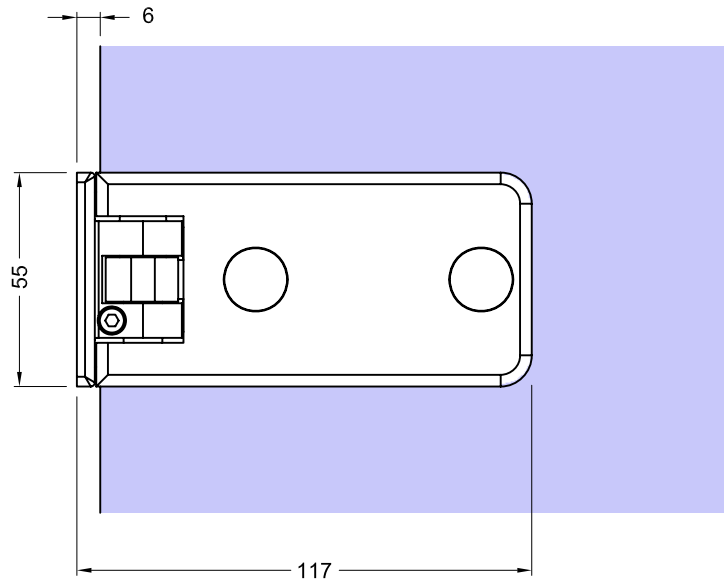
FIXED PANEL PERPENDICULAR TO WALL



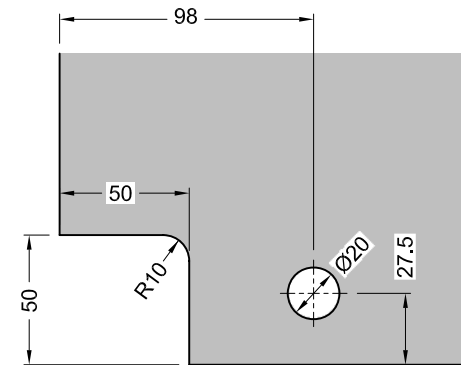
FIXED PANEL NOT PERPENDICULAR TO WALL

- Release the set screw
- Position The Door Panel to the Desired Closed Position
- Tighten the set screw



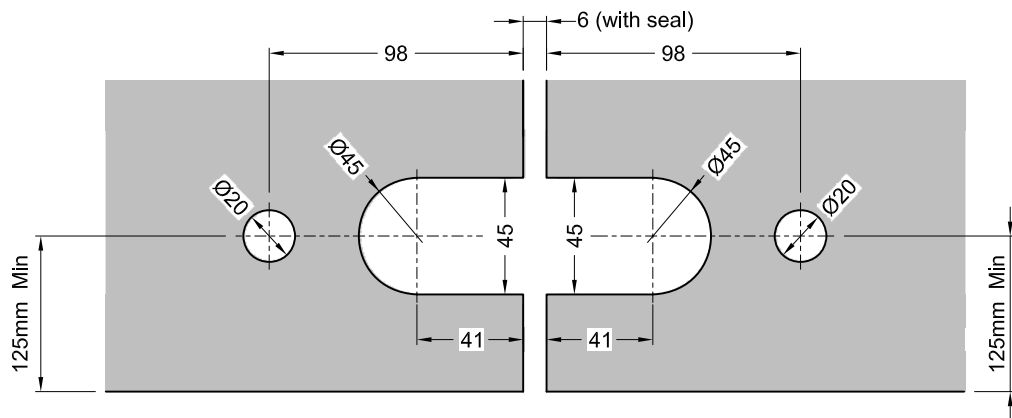
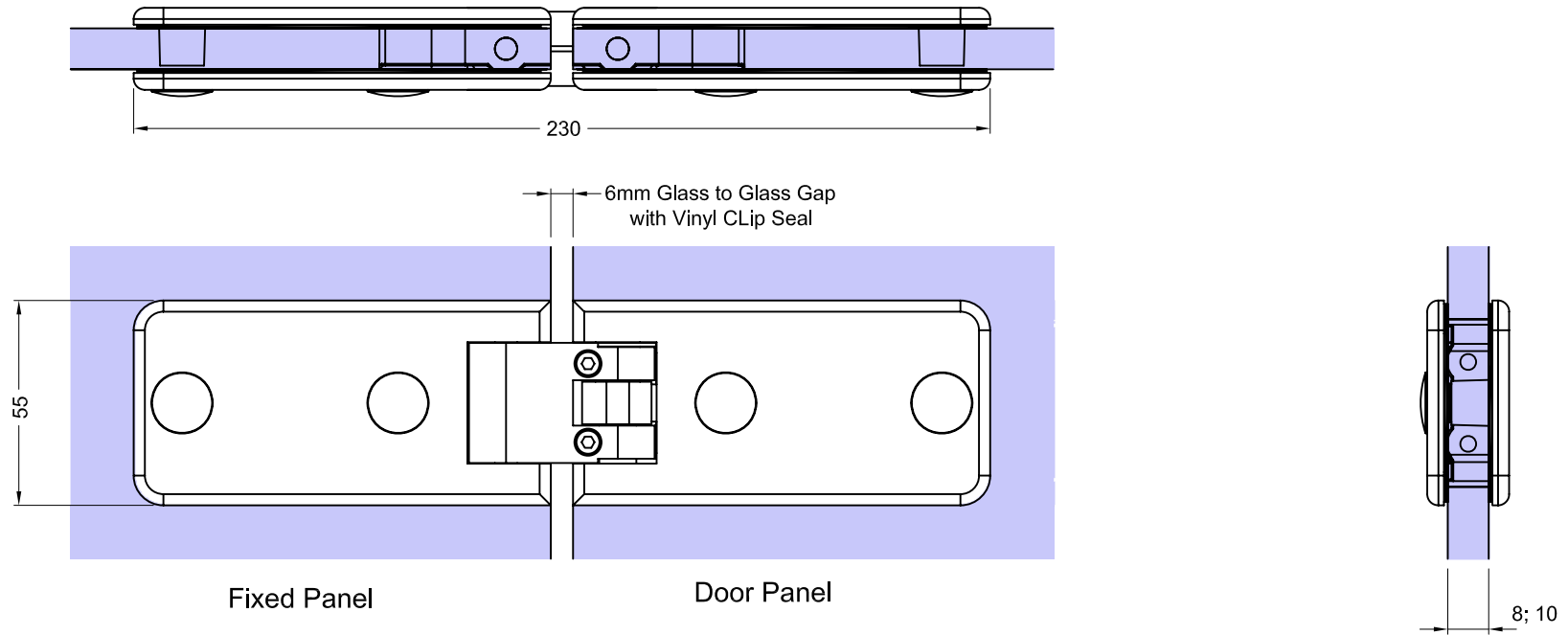


Glass Preparation

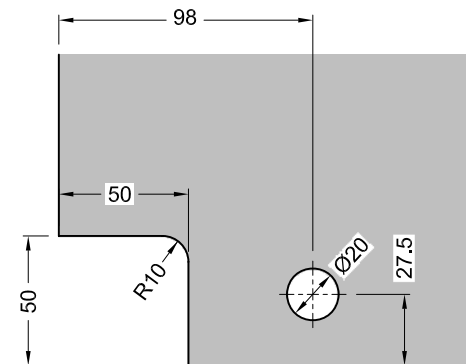


Glass Preparation (Corner of Glass)





Glass Preparation (Fixed Panel and Door Panel)



Glass Preparation (Corner of Glass)

